

XCMG official platform
www.machmall.com
machmall@xcmg.com



Advanced Configuration

Ecological and economical

- ▶ Yanmar engine compliant with Euro stage V and North American Tier 4F Emission Standard
- ▶ The excellent matching of hydraulic system and engine is more powerful and fuel saving

Multiple applications

- ▶ Tailless design and short slewing radius can achieve flexible operation in confined space
- ▶ Multiple additional configurations to adapt to a variety of operating requirements

Comfortable operating experience

- ▶ Air conditioner and heater to ensure the appropriate temperature
- ▶ Toughened glass cockpit with good safety view
- ▶ Detailed design concept improves comfort



Excellent after-sales service

- ▶ Global after-sales service system and quick response mechanism
- ▶ Real-time technical consultation and maintenance

Convenient maintenance

- ▶ Easy maintenance design, open the engine hood for no dead angle maintenance

Safe and durable

- ▶ Integrated body design
- ▶ Strengthened structure and stress dispersing
- ▶ Upgrade undercarriage to improve load bearing performance

Ecological And Economical

Power system

▶ Yanmar engine compliant with Euro stage V and North American Tier 4F Emission Standard can effectively reduce fuel consumption and emission, the mechanical oil-injection pump has more reliable performance, sufficient reserve of low speed torque and strong power.



Hydraulic system

▶ Key hydraulic components adopt up-to-date technology, featuring hydraulic system with low energy consumption, fast response speed, accurate control and small impact so that strong digging force and excellent operating efficiency are ensured. The power of engine and hydraulic system match perfectly so that the engine can work in optimum fuel consumption level to improve fuel efficiency and save operational cost.



Multiple Applications

▶ The adoption of tailless design and super short slewing radius ensures the machine to work in narrow working conditions.



▶ The left and right boom swing angle is respectively 75° and 50°, it can realize complex operation together with upper structure slewing to ensure that the digging is parallel with wall surface in narrow space through the cooperation of upper structure slewing so as to easily deal with various operating conditions.

Comfort And Safe

- ▶ Spacious cab leading at the forefront of the same level products. The air conditioner, file pockets, seat belts, cup holders and reserve power supply greatly enhance comfort and convenience.



- ▶ The cab, base plate and console are integrated by adopting advanced welding technology, which greatly reduces indoor noise and ensures the comfort of operator.

- ▶ Visual dashboard monitors the whole machine status in real-time, ensures more smooth operation.

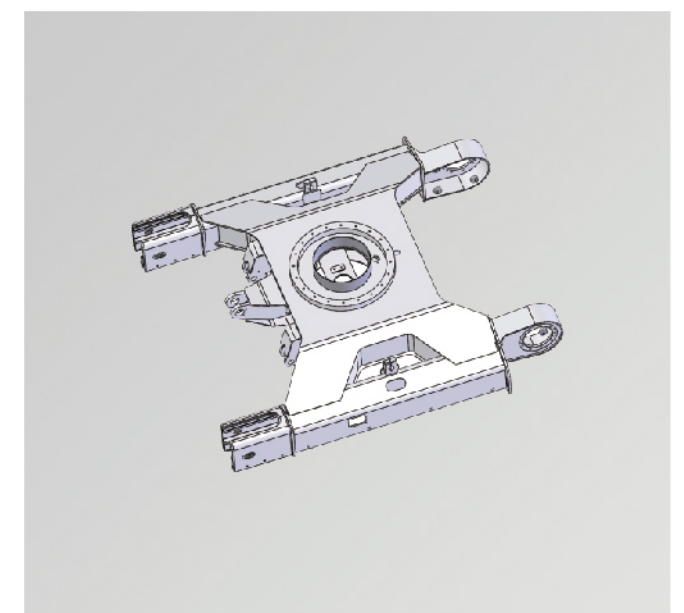


- ▶ Large area of toughened glasses with high strength are equipped on the cab, which ensures the strength meanwhile improves vision, headlamp is equipped on the roof of the cab to ensure accurate and safe operation at night.



- ▶ Strengthened boom and arm, adjusted structure and stress dispersing will greatly improve service life.

- ▶ With X-frame undercarriage structure, reinforced plate and enlarged box cross section, its bearing performance is greatly improved.

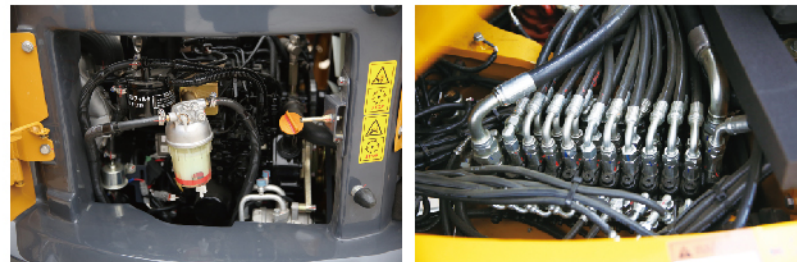


Maintenance And Service

- ▶ The cab can be tilted forward for 35°, the engine and its accessories, main valve, slewing motor and central rotary joint are easy to be maintained.



- ▶ After the cab is tilted, the generator, start motor, muffler, electric and hydraulic systems can be maintained rapidly cooperated with fully-opened rear hood, there is no dead angle within 360 degrees for maintenance of whole machine.



- ▶ When the right hood opened, the air conditioner filter, coolant filling port, auxiliary water tank, power master switch, air conditioner dryer and battery can be maintained conveniently, which saves both time and labour.

- ▶ A wide range of after-sales service system, quick-response rescue mechanism to ensure that you use at ease.

Standard Equipment

	Name of equipment	XE35U
	Engine model	3TNV88F
	Emission level	Euro V、North American 4F
	Air cleaner (equipped with air cleaner blockage indicator)	
	Double filter element of air filter	
	Automatic idle system	
Engine	Collector type engine oil filter	
	Collector type fuel main filter	
	Fan shroud	
	Radiator auxiliary water tank	
	Oil-water separator	
	Alternator	
	Control valve with LS overflow valve	
Hydraulic System	Pilot filter	
	Oil suction filter	
	Accumulator	
	Arm flow regeneration	
	Hydraulic oil ISO VG 46	
	Spare valve plate	
Cab and interior trim	AM - FM radio with digital display	
	All - weather soundproof steel structure cab	
	Beverage cup holder	
	Two stereo speakers	
	Engine key switch	
	Emergency hammer	
	Fire extinguisher support	

	Front window washer
	Cleanable floor mat
	Footrest board
	Luxury seat
	Openable front upper windshield
	Removable front and lower windshield
	Tempered glass sliding door and window
	Intermittent windscreen wiper
Cab and interior trim	Seat belt
	Control handle
	Travel control pedal with detachable manual control lever
	Coat and hat hook
	High and low gears shift
	Air conditioning system
	Cigarette Lighter/Standby Power Supply
	Top sunroof
	Internal lighting in the cab
	Document bag
	Rearview mirror
	LCD liquid crystal monitor
	Driving door locks and cabin locks
	Alarm horn
Safety and security configuration	Parking brake for walking
	Rotary parking brake
	Battery circuit breaker
	Pusher retaining valve
	Explosion-proof valve for boom and arm pipeline
	Rotary alarm lamp

Safety and security configuration	Hydraulic safety locking lever
	Emergency escape hammer
	Left and right rearview mirrors
	Front work light
Chassis system and shield	Counterweight reflector
	Falling object protection structure (FOPS)
	Track tensioning mechanism
	Bottom frame traction ring
	rubber belt track
	Bottom sealing plate of chassis
	Walking motor sealing plate
	Track clamp
	Bulldozer shovel
	Supporting chain wheel and supporting wheel
Equipment	Boom
	Arm
	Bucket 0.12m ³ (ISO full bucket)
	Battery (1× 64Ah)
	12V power interface
	Engine cooling water temperature display
	Fuel level display
	Engine speed display
	Working hour meter
	Engine oil pressure, engine overheat alarm
Electrical system	Charging indication
	Air filter clogging alarm
	Engine warm-up indication
	Hydraulic oil temperature alarm

XCMG official platform
 www.machmall.com/
 machmall@xcmg.com

Lighting lamp	Left boom working light
	Working light mounted in the cab
Counterweight	Counterweight

Optional Equipment

	Name of equipment	XE35U
Hydraulic system	Hydraulic pipeline: breaking hammer	
	Hydraulic oil ISO VG 32, 68	
Cab and interior trim	Fire extinguisher	
Equipment	Quick coupler	
	Hydraulic breaker	
	Hydraulic thumb pliers	
Electrical system	12V cigarette lighter	

Main Specifications

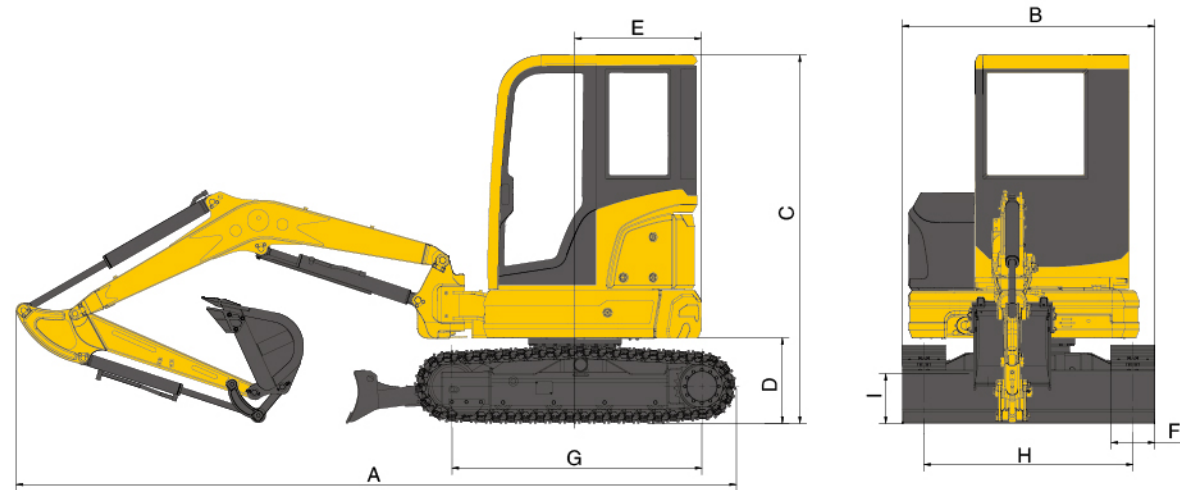
	Item	Unit	Parameters
	Model	/	XE35E
	Operation Weight	Kg	4200
	Bucket Capacity	m ³	0.12
Engine	Engine Model	/	3TNV88F
	Direct Injection	/	√
	Four Strokes	/	√
	Water Cooling	/	√

	Item	Unit	Parameters
Engine	Turbocharging	/	×
	No.of Cylinders	/	3
	Rated Power	kw/rpm	18.2/2200
	Maximum Torque/Speed	N.m	85.3-94.2/1320
	Displacement	L	1.642
Main Performance	Travel Speed	km/h	3.6/2.2
	Swing Speed	r/min	9
	Gradeability	°	30
	Ground Pressure	kPa	36.6
	Bucket Digging Force	kN	28.6
	Arm Digging Force	kN	20.3
	Maximum Tractive Force	kN	31.6
	Rated Flow of Main Pump	L/min	108
	Working Pressure	MPa	23
	Travel System Pressure	MPa	21
Hydraulic System	Swing System Pressure	MPa	16.7
	Pilot System Pressure	MPa	3.9
	Fuel Tank Capacity	L	40
Oil Capacity	Hydraulic Tank Capacity	L	45
	Engine Oil Capacity	L	7
Standard	Length of Boom	mm	2560
	Length of Arm	mm	1350
	Bucket Capacity	m ³	0.12

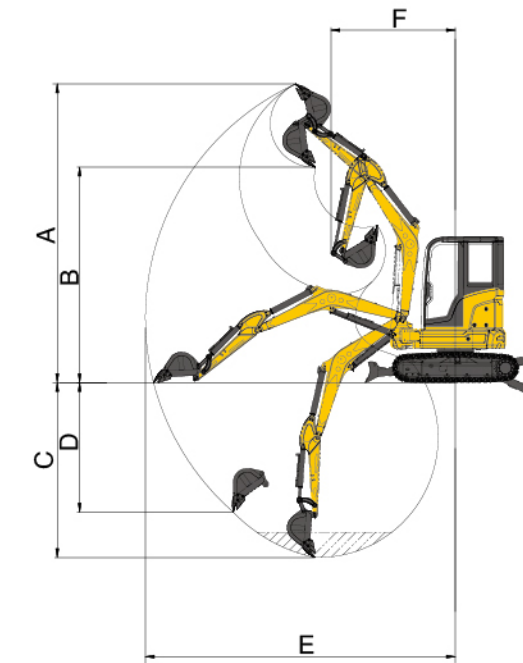
Dimensions

Item	Unit	Parameters
A Overall Length	mm	4970
B Overall Width	mm	1740
C Overall Height	mm	2535
D Counterweight Clearance	mm	587
E Minimum Tail Swing Radius	mm	870
F Track Shoe Width	mm	300
G Crawler base	mm	1721
H Track Gauge	mm	1440
I Minimum Ground Clearance	mm	297
Dozer Blade(Width/Height)	mm	1740×358

Overall Dimensions



Working Range	E Maximum Digging Radius	mm	5300
	F Minimum Swing Radius	mm	2170
	Maximum Dozer Lifting Height	mm	305
	Maximum Dozer Cutting Depth	mm	360



Lifting Capacity

Lifting point height (m)	Rated lift capacity – Straight ahead (back) (kg)					Rated lift capacity – over-side (kg)				
	Lifting point radius (m)				Lifting capacity at maximum radius	Lifting point radius (m)				Lifting capacity at maximum radius
	1	2	3	4		1	2	3	4	
4			*816.9		*748.8			*816.9		*748.8
3			*830.1	724.1	*634.4			*830.1	*806.8	*634.4
2		1921.5	1061.6	714.3	593.4	*1957.3	*1094.8	807.1		*627.5
1			1016.5	697.2	568.8			1170.1	789.4	643.5
Ground		*1193.1	992.9	685.1	591.1	*1193.1	1145.2	784.7		666.9
-1		1794.8	991.6	686.3	682.9	2166.6	1143.8	778.1		774
-2		*1299.8			*778.9	*1299.8				*778.9

Capacities marked with an asterisk(*) are limited by hydraulic capacities.

Working Range

Item	Unit	Parameters
A Maximum Digging Height	mm	5000
B Maximum Dumping Height	mm	3600
C Maximum Digging Depth	mm	3060
D Maximum Vertical Wall Digging Depth	mm	2260

Working Range



Machmall.com is an electromechanical product platform officially launched by XCMG, aiming to provide global customers with a complete set of high-quality construction machinery solutions and supporting equipment.

Xuzhou Construction Machinery Group Co., Ltd. (XCMG Group), founded in 1943, is the fourth largest worldwide construction machinery manufacturer and the largest in China with products covering 183 countries and regions.

XCMG have 12 complete solutions: Crane lifting, Mining Construction, Earth-moving Solutions, Road Machinery, Concrete Equipment, Tunnel and Underground Space Construction, Mobile Elevating Work Platform (MEWP), Piling and Non-excavation Equipment, Transportation Equipment, Environmental Sanitation Equipment, Firefighting, Safety and Emergency Rescue

徐工徐工，助您成功

— XCMG for your success —

